

RC Heat Exchanger

Range of 6 models, from 500 to 4.500. They are used to regenerate heat in public rooms, like pubs, meeting rooms, small and medium locals. Painted and galvanized sheet steel case with condense discharge drop tank. Two easily switchable positions are possible for each inlet and outlet.

Pleated filters. Efficiency G4 (Am 85%) with protection wire. The efficiency of the heat exchanger can be appreciated in the fact that reduces heat or cool air losses by 70-80%. Thus, it saves the cost of air conditioning and/or heating and reaches an ideal energy conservation effect.

Under request: outside bag filter class F5-F7-F8-F9.

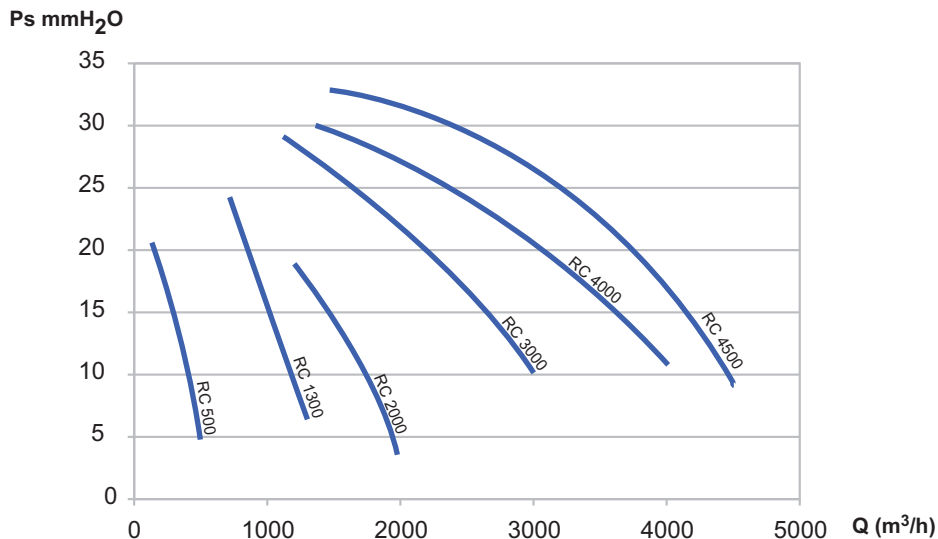


SINGLE PHASE RANGE

Code	Model	Air Flow m ³ /h	Max. Current (A) 230	Output P. Kw	Efficiency %	Sound L. dB (A)	Weight Kg.
300727800	RC 500	500	2 x 0,38	2 x 0,085	67	50	34
300727900	RC 1.300	1.300	2 x 1,05	2 x 0,23	57	52	70
300728000	RC 2.000	2.000	2 x 1,50	2 x 0,15	61	53	130
300728100	RC 3.000	3.000	2 x 4,20	2 x 0,55	61	56	150
300728200	RC 4.000	4.000	2 x 6,60	2 x 0,6	54	58	180

THREE PHASE RANGE

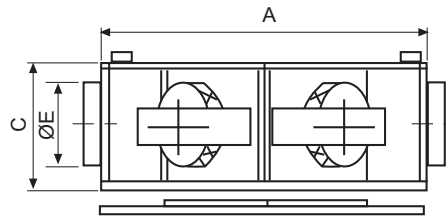
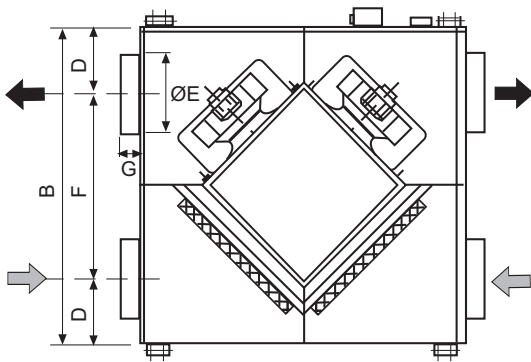
Code	Model	Air Flow m ³ /h	Max. Current (A) 400	Output P. Kw	Efficiency %	Sound L. dB (A)	Weight Kg.
300728300	RC 4.500	4.500	2 x 2,5	2 x 0,55	54	58	180



RC Heat Exchanger

DIMENSIONS (mm)

Model	A	B	C	D	ØE	F	G
RC 500	700	700	275	175	150	350	60
RC 1.300	900	900	375	225	250	450	60



Model	A	B	C	D	ØE	F	G
RC 2.000	1.200	1.200	450	300	315	600	65
RC 3.000	1.200	1.200	450	300	315	600	65
RC 4.000	1.350	1.350	550	337,5	348	675	80
RC 4.500	1.350	1.350	550	337,5	348	675	80

